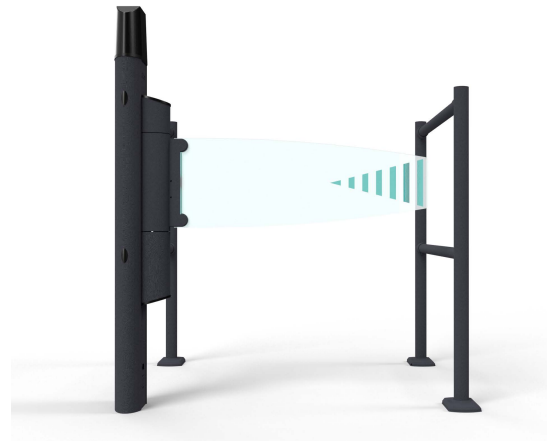


eGate® Colour S

Description

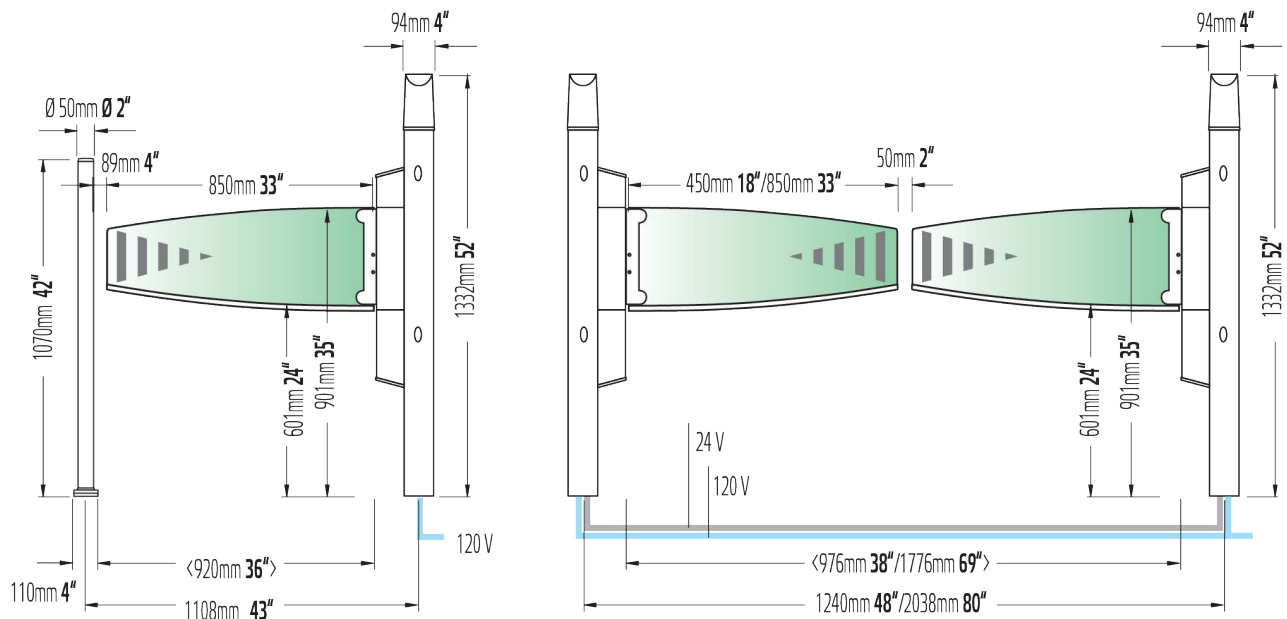
Give your store the premium look with a unique gate design.

Thanks to the range of color options available, the upright of the attractive high-tech entrance system matches the store's corporate design and, with the illuminated swing arm, encourages customers to enter.



Features

- Friendly customer experience with LED lighting
- Reduced retail space taken thanks to small footprint
- Color change of illuminated swing arms
- Customizable branding options
- Allows taller swing arms max. 450mm (18") x 680mm (27") to be retrofitted
- Swing arm is especially protected due to its unique design attached to the gate column.



Product equipment:

Design variants	Single system (opening to the left/right), double system, double-gate system															
Material & surface	Powder-coated aluminum profile															
Color	Standard RAL color: RAL 7016 Other RAL colors available on request															
Operating status indicator	Integrated LED lighting signals the operating status of the systems in the entry and exit direction															
Swing arm & passage widths	<table border="1"> <thead> <tr> <th rowspan="2">Passage width mm/in</th> <th colspan="3">Standard Swing Arms Height x Width (mm/inch)</th> </tr> <tr> <th>Single system 920 mm / 36.22in</th> <th>Double system 976 mm / 38.43in</th> <th>Double system 1766 mm / 69.53in</th> </tr> </thead> <tbody> <tr> <td>Swing arm length mm/in</td> <td>850 mm / 33.47in</td> <td>450mm / 18in</td> <td>850 mm / 33.47in</td> </tr> <tr> <td>Swing arm height mm/in</td> <td>300mm / 11.8in</td> <td>300mm / 11.8in</td> <td>300mm / 11.8in</td> </tr> </tbody> </table>	Passage width mm/in	Standard Swing Arms Height x Width (mm/inch)			Single system 920 mm / 36.22in	Double system 976 mm / 38.43in	Double system 1766 mm / 69.53in	Swing arm length mm/in	850 mm / 33.47in	450mm / 18in	850 mm / 33.47in	Swing arm height mm/in	300mm / 11.8in	300mm / 11.8in	300mm / 11.8in
Passage width mm/in	Standard Swing Arms Height x Width (mm/inch)															
	Single system 920 mm / 36.22in	Double system 976 mm / 38.43in	Double system 1766 mm / 69.53in													
Swing arm length mm/in	850 mm / 33.47in	450mm / 18in	850 mm / 33.47in													
Swing arm height mm/in	300mm / 11.8in	300mm / 11.8in	300mm / 11.8in													
Standard equipment	<ul style="list-style-type: none"> Adjustable motor speed Swing arm manipulation alarm Opening via single radar Can connect to fire alarm system Advanced obstacle detection in rear system Illuminated safety glass Made of toughened safety glass 															
Optional equipment	<ul style="list-style-type: none"> Opening via tandem radar Alarm in reverse/exit direction Power supply from ceiling Low voltage power supply Opening signal via external devices Branding options (custom swing arm design, LED color change) Loudspeaker for audio output 															

Technical data:*

Power supply	100–240 V
Rated frequency	50 / 60 Hz
Power consumption	Max. 60 W
Rated current	Max. 0.64 A
Recommended mains fuse	10 WD
Protection class	I
Ambient temperature	+10°C/ 50°F to +50°C/122°F
Weight	30 kg/ 66 lbs (without swing arms)
Level of protection	IP20
Interfaces	RJ45
Drive	24V/DC motor Freely rotatable when power is disconnected
Installation	Concrete foundation C25/30 or ground with a minimum compressive strength of 25N/mm ² , flatness tolerance of +/- 5 mm
Certificates	EN 60335-1:2012/A15:2021; EN 60335-2-103:2015; EN 17352:2022; UL 325:2017/R:2020-02; CAN/UL 325:2017

*Values per column Last